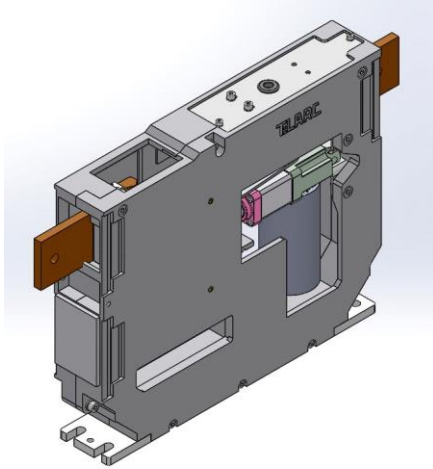


# PRODUCT CHART

# TS-1-30-08-T

TS Disconnectors are high-current, off load switches, suitable for operation under DC or AC voltage systems up to 3600V, in both railway and industrial applications



## General Information

|                          |               |
|--------------------------|---------------|
| Number and type of poles | 1 NO          |
| Overall dimensions dwg   | Z00498A       |
| 3D drawing               | Z00498A.stp   |
| Electrical scheme        | ES00004A      |
| Maintenance Manual       | MM00002A      |
| Validation Chart         | VR00009       |
| Blow out type            | N/A           |
| Type of arc chute        | N/A           |
| Auxiliary contacts chart | Crouzet PBX-T |

## Electrical Data

|  |                 |        |        |
|--|-----------------|--------|--------|
| Rated Operational Voltage                                | Ue              | 3600   | Vdc/ac |
| Rated insulation voltage                                 | Ui              | 4800   | Vdc    |
| Rated impulse withstand voltage                          | Uimp            | 25     | kV     |
| Conventional free air thermal current at 40°C (per pole) | Ith 40          | 800    | A      |
| Conventional free air thermal current at 75°C (per pole) | Ith 75          | 720    | A      |
| Rated operational current (per pole)                     | Ie              | 800    | A      |
| Rated short time withstand current (per pole)            | Icw/t           | 100/50 | kA/ms  |
| Peak short time withstand current (per pole)             | Icw             | 100    | kA     |
| Max breaking current DC $t=15\text{ms}$ (per pole)       | Ibc             | N/A    | A      |
| Max breaking current AC $\cos\phi = 0,8$ (per pole)      | Ibc             | N/A    | A      |
| Max making current DC $t=15\text{ms}$ (per pole)         | Uimplmc         | N/A    | A      |
| Max making current AC $\cos\phi = 0,8$ (per pole)        | I <sub>mc</sub> | N/A    | A      |
| Electrical endurance @Ue/Ie                              |                 | N/A    | cycles |

Notes:

## Mechanical and Environmental Data

|   |             |                 |
|---|-------------|-----------------|
| Pollution degree / overvoltage category | EN 50124    | PD3/OV3         |
| Component category                      | EN 50124    | A4/C3           |
| Shock and vibration                     | IEC 61373   | Cat 1 / class B |
| Mechanical endurance                    | cycles      | 250.000         |
| Closing/opening time at Vc nom          | sec         | sec             |
| Weight                                  | kg          | <14             |
| Max altitude without derating           | m asl       | 2000            |
| Operational temperature (IEC 50125-1)   | IEC 50125-1 | -40°C to +75°C  |
| Stocking temperature                    |             | -50°C to +85°C  |

### Non-Metallic Materials

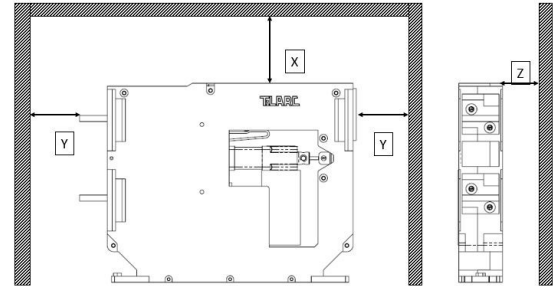
|         |       |  |
|---------|-------|--|
| BMC RF9 | 4600g |  |
| Latamid | 40g   |  |
| Primef  | 0g    |  |

### Spares Part Numbers

|                                  |         |
|----------------------------------|---------|
| Arc chute (per pole)             | N/A     |
| Main contact knife (per pole)    | Y00083A |
| Main contact jaws kit (per pole) | ZKP005A |
| Aux contacts type F              | Y00002A |
| Aux contacts type C              | Y00001A |

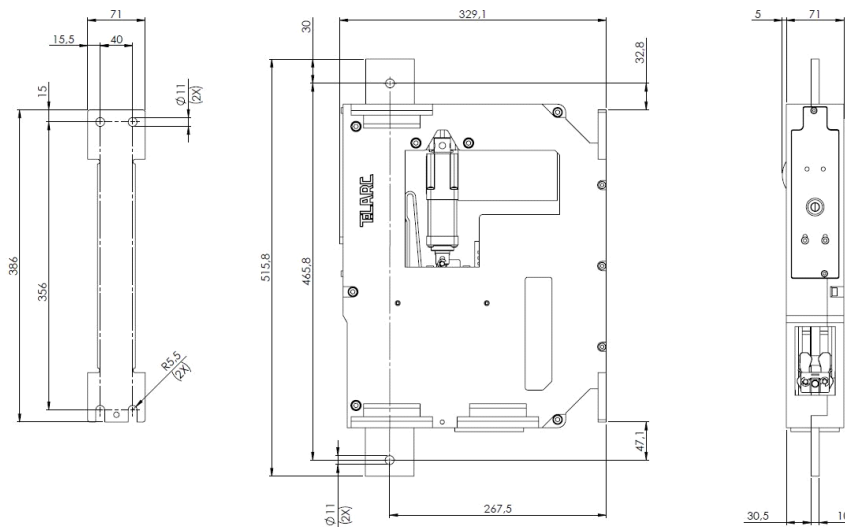
### Insulation Distances

|                      |    |    |    |
|----------------------|----|----|----|
|                      | x  | y  | z  |
| from metallic parts  | 50 | 80 | 30 |
| from insulated parts | 40 | 50 | 30 |



### Control Motor Chart (per disconnector)

|                        |              |                      |        |                      |           |
|------------------------|--------------|----------------------|--------|----------------------|-----------|
| Motor operating range: | Vc -30% +25% | Closing Power at Vc: | 30W    | Holding Power at Vc: | 30W       |
| Suffix                 | Vc           | Motor P/N            | Suffix | Vc                   | Motor P/N |
| A                      | 24Vdc        | Z00087A              | D      | 72Vdc                | Z00042A   |
| B                      | 36Vdc        | Z00088A              | E      | 110Vdc               | Z00043A   |
| C                      | 48Vdc        | Z00089A              | F      | 220Vdc               | N/A       |



### Ordering Information

Order placement requires a full 15 digits part number. The mainpart number TS-1-30-08-T shall be followed by: the motor suffix, the installation orientation suffix H/V, the 2digit aux suffix and the 3 digit revision suffix

|  |              |    |   |     |      |
|--|--------------|----|---|-----|------|
| Example  | TS-1-30-08-T | -A | H | -2F | -001 |
| Main part number   |              |    |   |     |      |
| Motor Suffix (see Coil Chart for details)  |              |    |   |     |      |
| Installation orientation suffix (= „H“ for bottom fixing / „V“ for wall fixing)            |              |    |   |     |      |
| Aux suffix (=number of 1NO+1NC contacts blocks + „C“ for screw / „F“ for faston terminals) |              |    |   |     |      |
| Revision suffix  |              |    |   |     |      |

**Example:** 1 NO pole TS disconnector, 3000V, 800A lth, T-terminals, 24Vdc motor, Horizontal installation, 2NO+2NC faston term. Aux contacts, rev 01