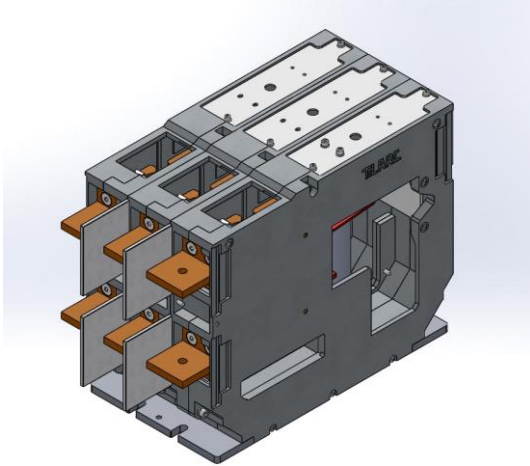


# PRODUCT CHART

# TS-3-30-08-C

TS Disconnectors are high-current, off load switches, suitable for operation under DC or AC voltage systems up to 3600V, in both railway and industrial applications



## General Information

Number and type of poles	3 NO
Overall dimensions dwg	Z00110A
3D drawing	Z00110A.stp
Electrical scheme	ES00006A
Maintenance Manual	MM00002A
Validation Chart	VR00009
Blow out type	N/A
Type of arc chute	N/A
Auxiliary contacts chart	Crouzet PBX-T

## Electrical Data

Rated Operational Voltage	Ue	3600	Vdc/ac
Rated insulation voltage	Ui	4800	Vdc
Rated impulse withstand voltage	Uimp	25	kV
Conventional free air thermal current at 40°C (per pole)	Ith 40	800	A
Conventional free air thermal current at 75°C (per pole)	Ith 75	720	A
Rated operational current (per pole)	Ie	800	A
Rated short time withstand current (per pole)	Icw/t	100/50	kA/ms
Peak short time withstand current (per pole)	Icw	100	kA
Max breaking current DC $t=15ms$ (per pole)	Ibc	N/A	A
Max breaking current AC $\cos\phi = 0,8$ (per pole)	Ibc	N/A	A
Max making current DC $t=15ms$ (per pole)	Uimplmc	N/A	A
Max making current AC $\cos\phi = 0,8$ (per pole)	I <sub>mc</sub>	N/A	A
Electrical endurance @Ue/Ie		N/A	cycles

Notes: on parallel connected poles Ith/Icw/I<sub>mc</sub> ratings to be multiplied by number of poles and by 0,90

## Mechanical and Environmental Data

Pollution degree / overvoltage category	EN 50124	PD3/OV3
Component category	EN 50124	A4/C3
Shock and vibration	IEC 61373	Cat 1 / class B
Mechanical endurance	cycles	250.000
Closing/opening time at Vc nom	sec	sec
Weight	kg	<36
Max altitude without derating	m asl	2000
Operational temperature (IEC 50125-1)	IEC 50125-1	-40°C to +75°C
Stocking temperature		-50°C to +85°C

### Non-Metallic Materials

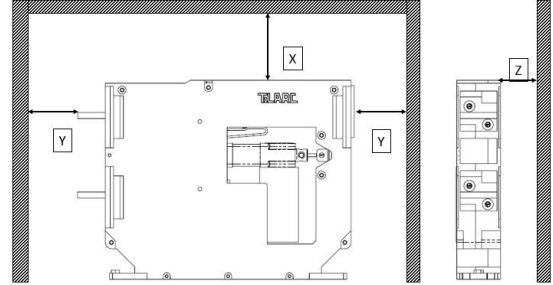
BMC RF9	13800g	
Latamid	120g	
Primef	0g	

### Spares Part Numbers

Arc chute (per pole)	N/A
Main contact knife (per pole)	Y00083A
Main contact jaws kit (per pole)	ZKP001A
Aux contacts type F	Y00002A
Aux contacts type C	Y00001A

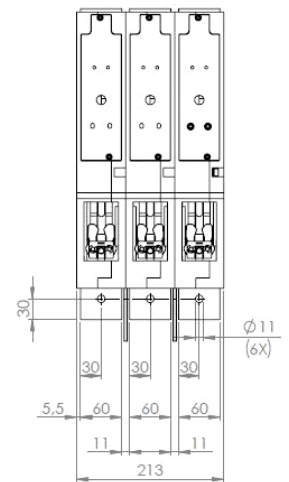
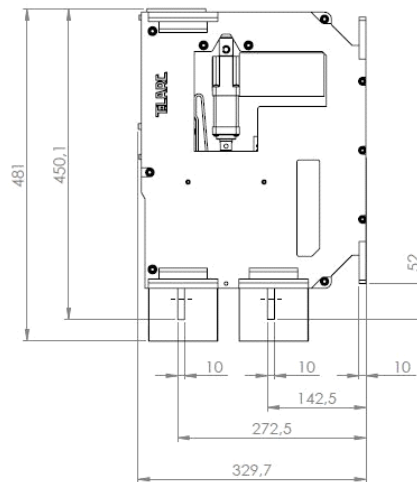
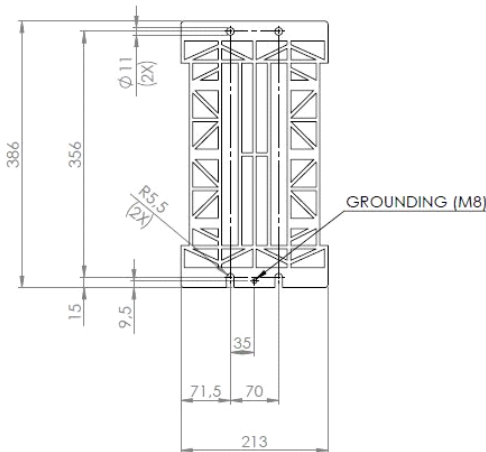
### Insulation Distances

	x	y	z
from metallic parts	50	80	30
from insulated parts	40	50	30



### Control Motor Chart (per disconnecter)

Motor operating range:	Vc -30% +25%	Closing Power at Vc:	30W	Holding Power at Vc:	30W
Suffix	Vc	Motor P/N	Suffix	Vc	Motor P/N
A	24Vdc	Z00087A	D	72Vdc	Z00042A
B	36Vdc	Z00088A	E	110Vdc	Z00043A
C	48Vdc	Z00089A	F	220Vdc	N/A



### Ordering Information

Order placement requires a full 15 digits part number. The mainpart number TS-3-30-08-C shall be followed by: the motor suffix, the installation orientation suffix H/V, the 2digit aux suffix and the 3 digit revision suffix

Example	TS-3-30-08-C	-A	H	-2F	-001
Main part number					
Motor Suffix (see Coil Chart for details)					
Installation orientation suffix (= „H“ for bottom fixing / „V“ for wall fixing)					
Aux suffix (=number of 1NO+1NC contacts blocks + „C“ for screw / „F“ for faston terminals)					
Revision suffix					

**Example:** 3 NO pole TS disconnecter, 3000V, 800A Ith, C-terminals, 24Vdc motor, Horizontal installation, 2NO+2NC faston term. Aux contacts, rev 01