

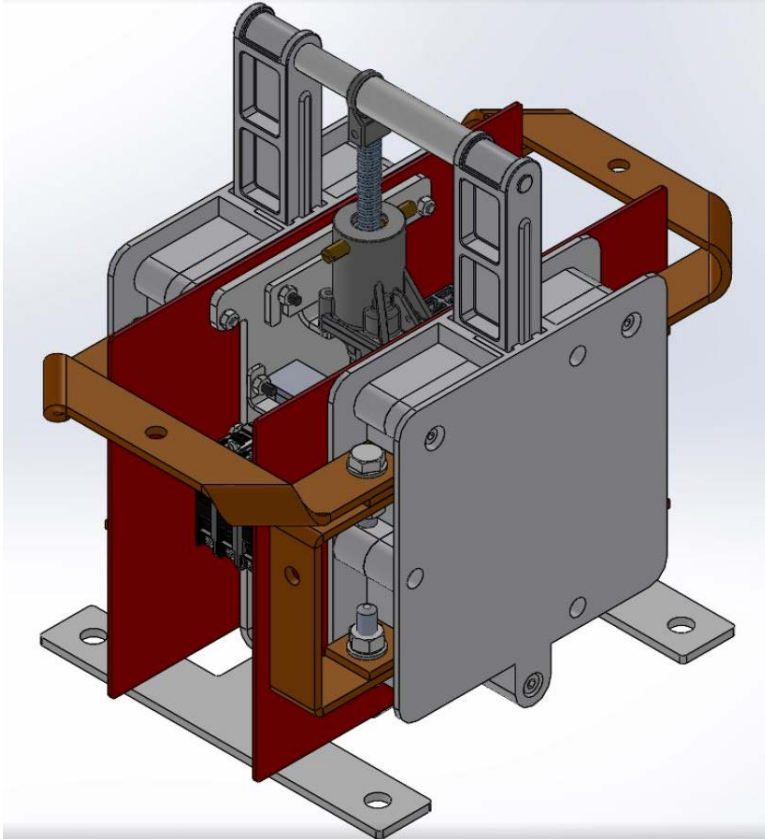


# TELAAC

TK-PANORAMA

## S-Series Contactors & Disconnectors

TK is a light duty OFFLOAD disconnector serie with a high level of configurability of the poles



### TK benefits:

- Most flexible configuration of number and types of poles
- Any spatial orientation for installation
- High reliability and easy maintainability with direct access to parts

### Designed to Railway Standards but suitable for multiple application



Rolling stock



Substation equipment



Energy generation



Industrial application

## TK General Characteristics

TK is the OFFLOAD disconnecter serie with following features: small power, compact design, suitable up to 3600Vdc, .

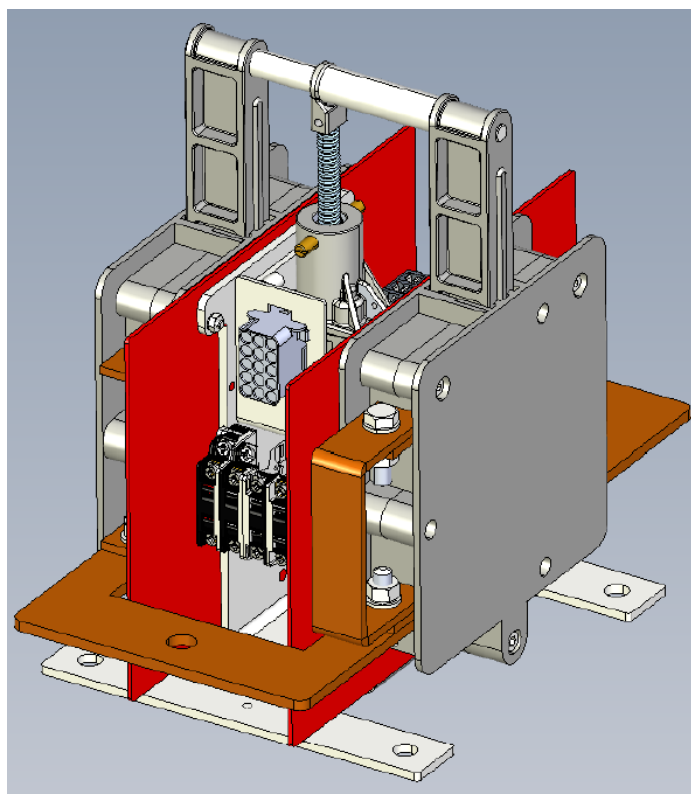
Designed to Railway Standards, TK models can be used in multiple applications, from Rolling Stock systems, to Rail Wayside, as well as inside Energy Conversion equipment and Industrial Power control applications.

TK disconnectors are based on a standardized pole, with 1NO+ 1 NC poles configuration.

The main pole has a thermal current of 300A and is suitable for all light duty where the short circuit withstand capability do not exceed 10kA (for more please contact Telarc).

The pole is connected to a main motor with gear reduction for a slow movement operation.

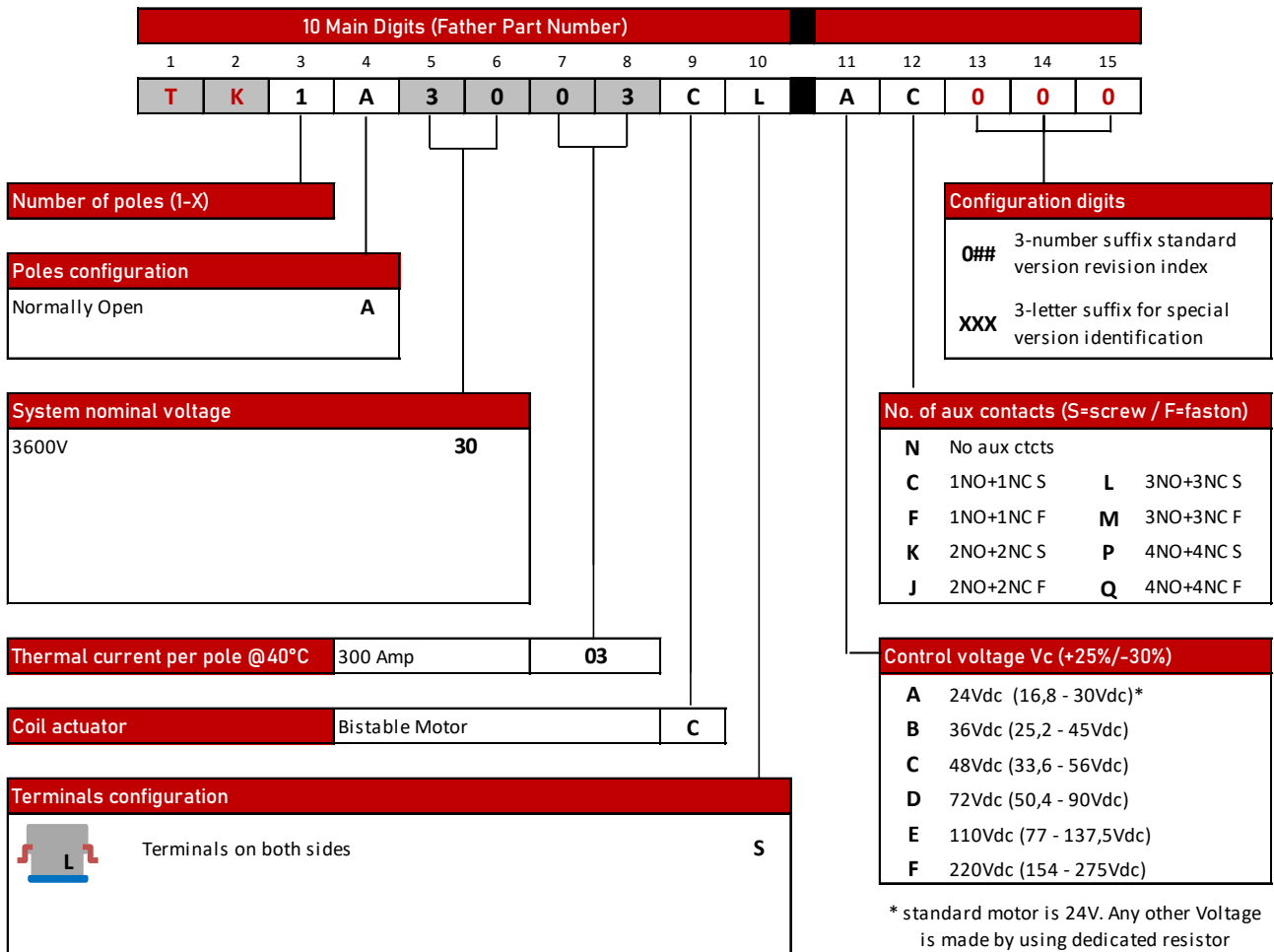
A multipole solution can be adapted to the main motor and a high number of configurations can be easily created based on the customer wiring scheme requirements



The mounting orientation can be horizontal or vertical, without settings or modifications

Up to 4 IP67 sealed snap action IP67 sealed auxiliary contacts blocks (each containing 1NO+1NC contacts) can be fitted to the side of the coil assembly.

TK-Disconnectors follow a „talking“ Part Number System to differentiate between its versions:



## TK Technical Data

Electrical Data			
Rated Operational Voltage	Ue	3600	Vdc/ac
Rated insulation voltage	Ui	4800	Vdc
Rated impulse withstand voltage	Uimp	25	kV
Conventional free air thermal current at 40°C	Ith 40	350	A
Conventional free air thermal current at 75°C	Ith 75	300	A
Rated operational current	Ie		A
Rated short time withstand current	Icw/t	10/100	kA/ms
Peak short time withstand current	Icw	10	kA

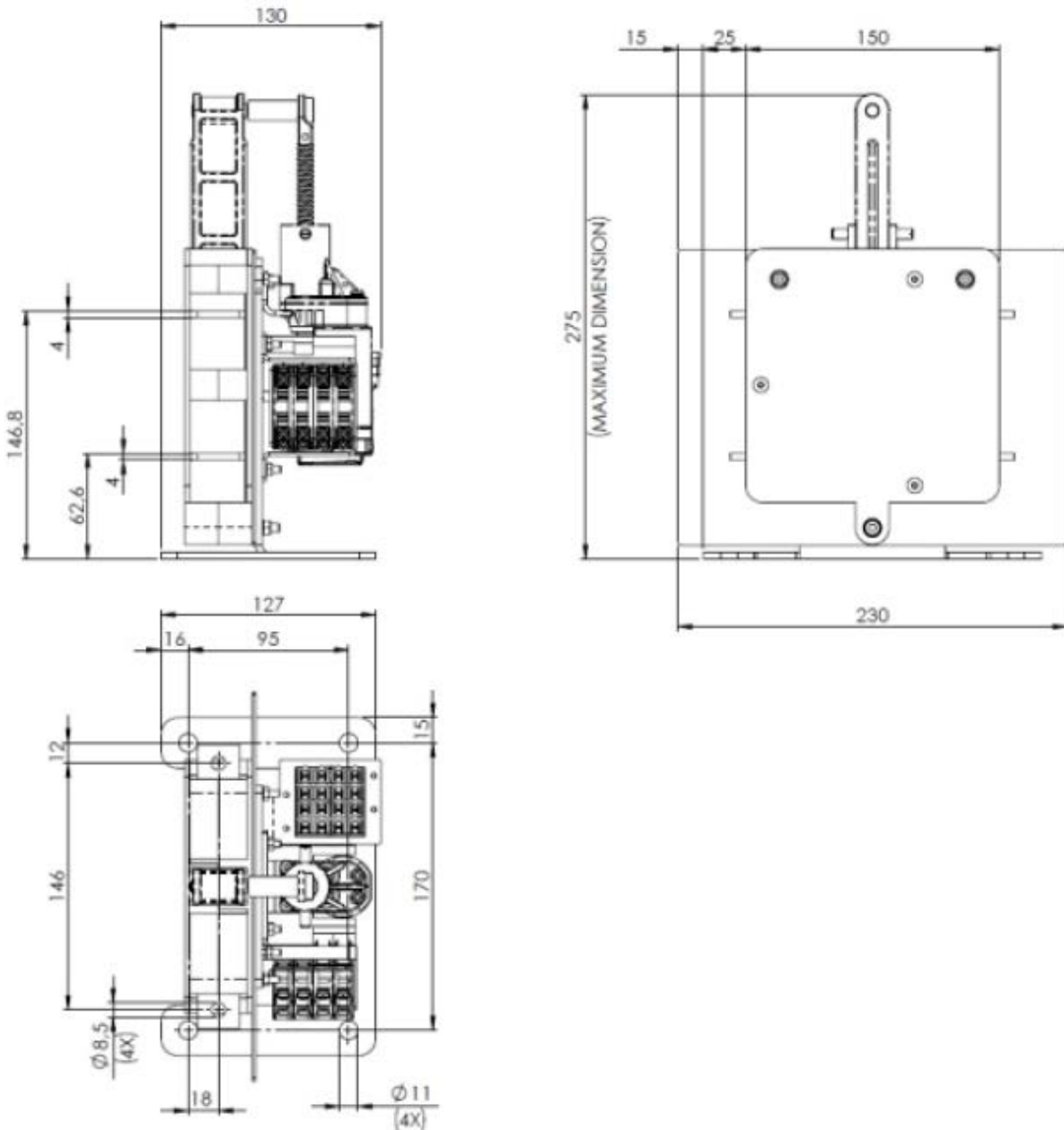
Control Motor Data						
Motor voltage [Vc]:	24Vdc	-30% +25%	Closing Power at Vc:	30W	Opening Power at Vc:	30W
Motor Part Number:	C065001		Holding Power:	0W		

Mechanical and Environmental Data		
Pollution degree / overvoltage category	EN 50124	PD3/OV3
Component category	EN 50124	A4/C3
Shock and vibration	IEC 61373	Cat 1 / class B
Mechanical endurance	cycles	250.000
Closing/opening time at Vc nom	sec	5/5
Weight	kg	TBD
Max altitude without derating	m asl	2000
Operational temperature	IEC 50125-1	-40°C to +75°C
Stocking temperature		-40°C to +75°C

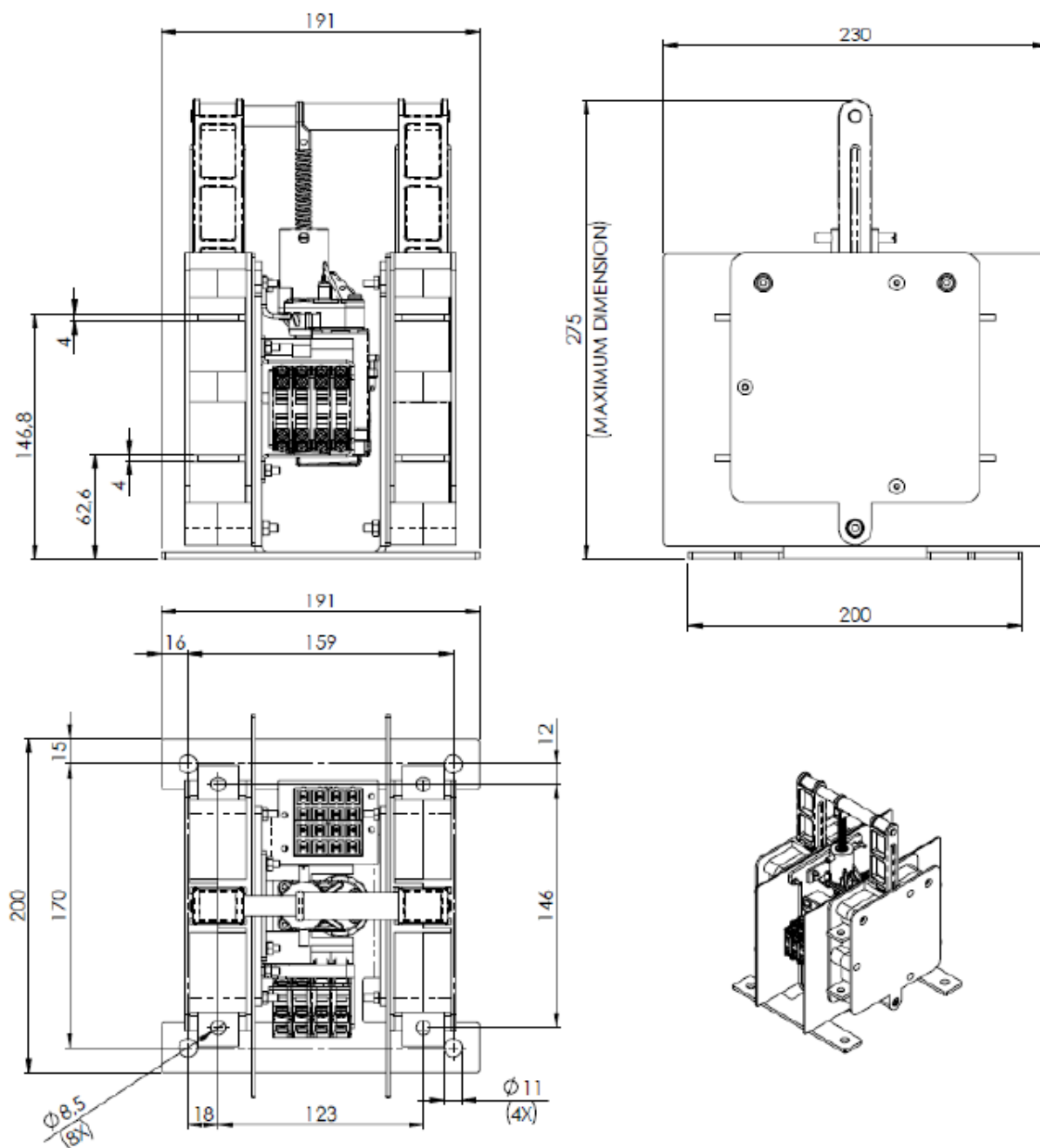
## DIMENSIONS :

Configuration of the product can be adapted to customer request. Some examples below

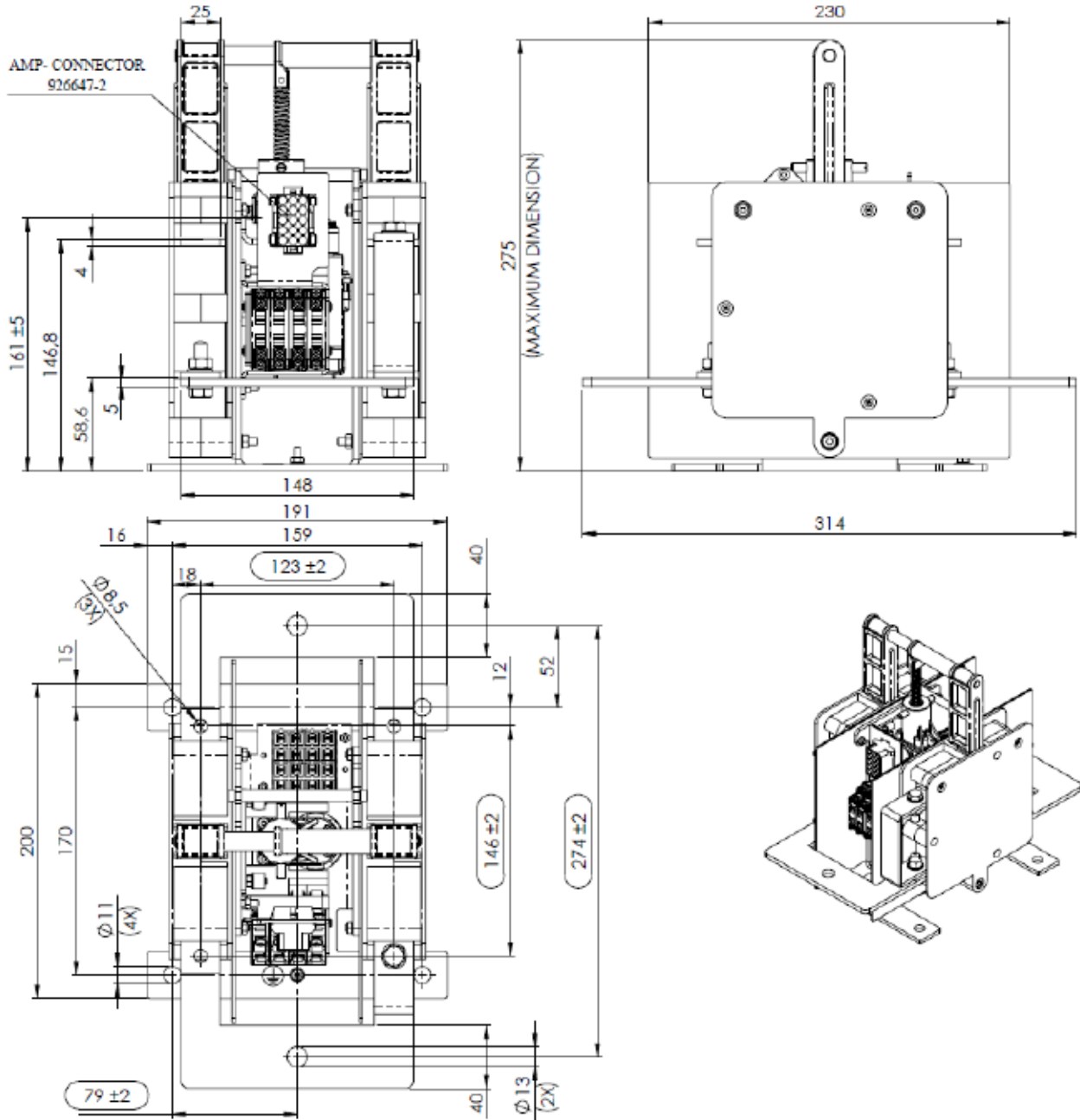
### Example 1 : TK 1NO+ 1NC



## Example 2 : TK 2NO+ 2NC



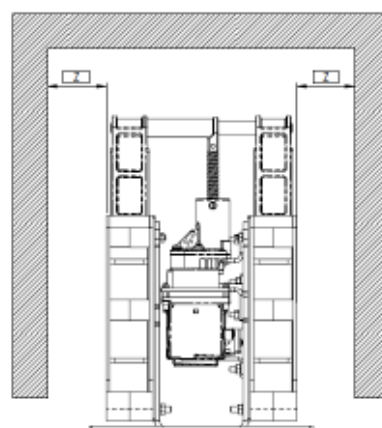
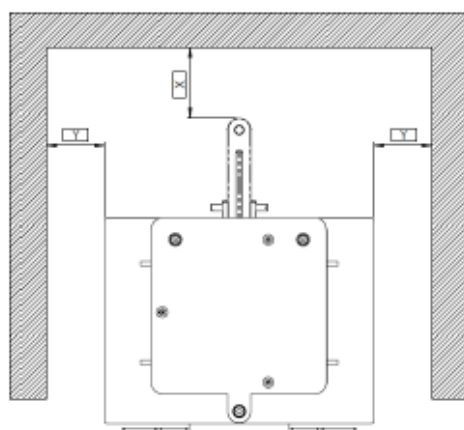
## Example 3 : TK 2NO + 2NC with customized connectios





## TK Installation insulating distances

Insulation Distances			
in mm	x	y	z
from metallic parts	50	80	30
from insulated parts	40	50	30



*All information contained in the present document is subject to change without notice*

**TELARC**

Via E. Fermi 50, 20090 Trezzano sul Naviglio (Milano) – Italy  
Phone/Fax +39.02.4969.9540 – email: [info@telarc.it](mailto:info@telarc.it)  
[www.telarc.it](http://www.telarc.it)